



# Accessories Butterfly Valve

**BVM-20,25,32,40,50,65,80**  
**BVC-20,25,32,40,50,65,80**

## Two types of "manual type" which can fix firmly after setting the opening degree, "control type" which can set properly for each manufacturer's motor.

### Feature

#### Manual butterfly valve (BVM)

- 1 Manual butterfly valve with the opening degree indication for adjusting the flow rate.
- 2 Handle is fixed with the lock screw after setting the opening degree.
- 3 Handle is made of stainless steel, which is strong and rust-proof.
- 4 Manual butterfly valve has a full port design, which realizes little pressure loss.
- 5 Main body is the kind design, which the pipe wrench does not slip.

#### Control butterfly valve (BVC)

- 1 This valve has been developed for controlling gas and air, and can be used with control motor.
- 2 Because the link handle is with joint position scale (PAT), it is very convenient for the handle opening instruction, recording after adjustment with the scale.
- 3 Adjustment width of link rotation radius is wide, 30 ~ 115 mm, so it is effective especially for subtle adjustment of air.
- 4 The exclusive motor fixing plate (optional) can be slide back and front, and can be fixed to a motor of makers with a good position.
- 5 In order to improve the control performance, the port of the control butterfly valve is the reduced size.

note) Both BVM and BVC are intended for flow control, not for full closure.



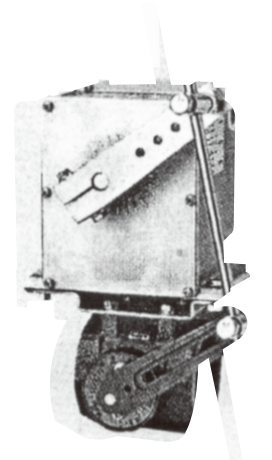
### Main Usage

- For adjusting flow rate of various gas (natural gas·LP gas etc.) and air for combustion mixing.

### Example of use

#### For optional

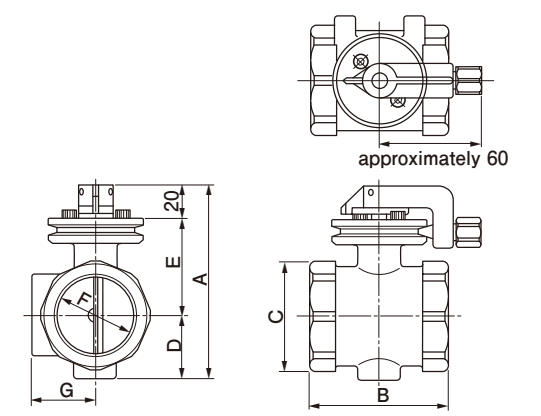
- control motor (Hi-Low, PI control and so on)
- motor setting plate
- we have linkage rod(8φ x 300L 8φ x 500L) and linkage joint, so please do not hesitate to tell us what you need.



### Overall size

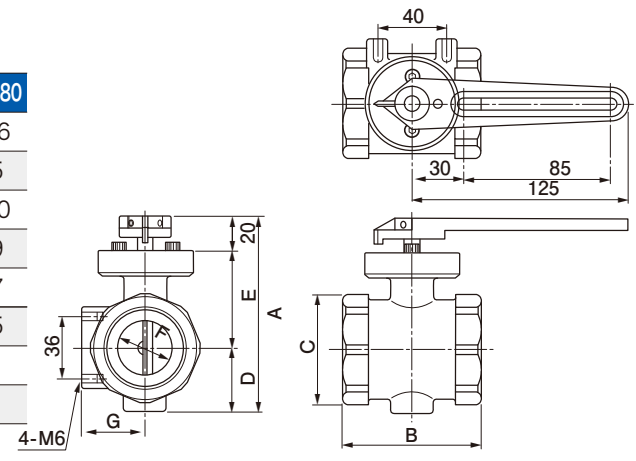
#### Manual butterfly valve (BVM)

Model	BVM-20	BVM-25	BVM-32	BVM-40	BVM-50	BVM-65	BVM-80	
Overall size(mm)	A	99	99	114	114	126	140	156
	B	75	75	80	80	85	95	95
	C	48	48	64	64	78	95	110
	D	30	30	37	37	44	50	59
	E	49	49	57	57	62	70	77
port size(Rc)	F(φ)	22	28	32	40	50	65	80
Overall size(mm)	G	30	30	37	37	44	55	61
Connection size(Rc)	H	3/4	1	1 1/4	1 1/2	2	2 1/2	3



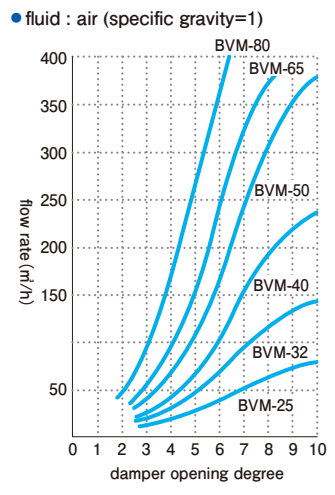
#### Control butterfly valve(BVC)

Model	BVC-20	BVC-25	BVC-32	BVC-40	BVC-50	BVC-65	BVC-80	
Overall size(mm)	A	99	99	114	114	126	140	156
	B	75	75	80	80	85	95	95
	C	48	48	64	64	78	95	110
	D	30	30	37	37	44	50	59
	E	49	49	57	57	62	70	77
port size(Rc)	F(φ)	16	22	28	32	40	50	65
Overall size(mm)	G	30	30	37	37	44	55	61
connection size(Rc)	H	3/4	1	1 1/4	1 1/2	2	2 1/2	3

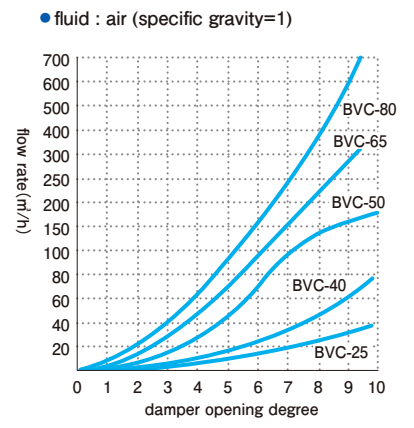


### Characteristic of flow rate

**BVM flow characteristics when differential pressure ΔP = 1.5 kPa.**



**BVC flow characteristics when the differential pressure ΔP = 1.0 kPa.**



### Flow rate conversion table

**Air flow rate at ΔP=1.5kPa and opening 7.**

Model	BVC-25	BVC-32	BVC-40	BVC-50	BVC-65	BVC-80
Air flow rate	50	90	140	225	325	440

ΔP conversion value (ΔP=1.5kPa basis)	specific gravity conversion value (specific gravity=1.0basis)		temperature conversion value (15°C basis)		
	differential pressure ΔP (kPa)	conversion value	specific gravity	conversion value	temperature (°C)
0.25	0.41	0.55	1.35	15	1.00
0.50	0.58	0.638	1.25	50	0.93
1.00	0.82	1.00	1.00	100	0.88
1.50	1.00	1.50	0.82	200	0.80
2.00	1.15	1.55	0.80	400	0.66
4.00	1.63	2.00	0.71	—	—

### Handling Precautions

- 1 The fluid used is air / natural gas / LPG
- 2 Fluid temperature used is 80°C. (If over 80°C, please order the valve for high temperature.)
- 3 When driving a plurality of butterfly valves with one control motor, pay attention to the capability of the motor.