



Induct burner

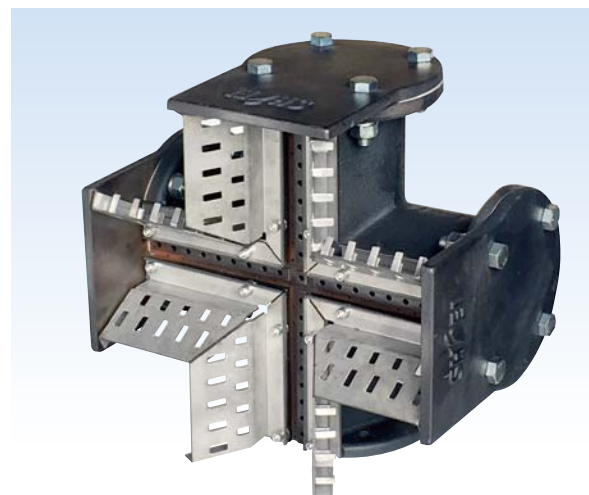
# CBX burner

CBX

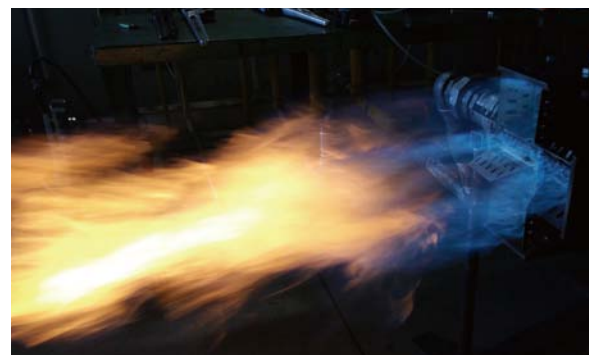
**A burner for combustion in a duct for hot air generation which can be used in a wide range from small capacity to large capacity.**

## Feature

- 1 This burner is a universal burner used for generating hot air, it is unitized and it can be combined in plural, so it can be widely used from small capacity to large capacity.
- 2 Combustion is a premix blast combustion burner where a mixture of air and gas is sent in the mixer and burns.
- 3 Generally, about 70% of the combustion theory air is taken in a mixer, and about 30% of secondary air is obtained in a duct combustion chamber to complete combustion.
- 4 The burner flame hole consists of a main flame hole and a flameholding hole, it has a multi-flame hole type, it has a wide burning range as a premix burner, and the turndown ratio can take 1: 4~5.
- 5 Even against the high wind speed inside the combustion chamber by the windbreak plate, stable combustion is performed without fear of flashback, lift etc.



● flame



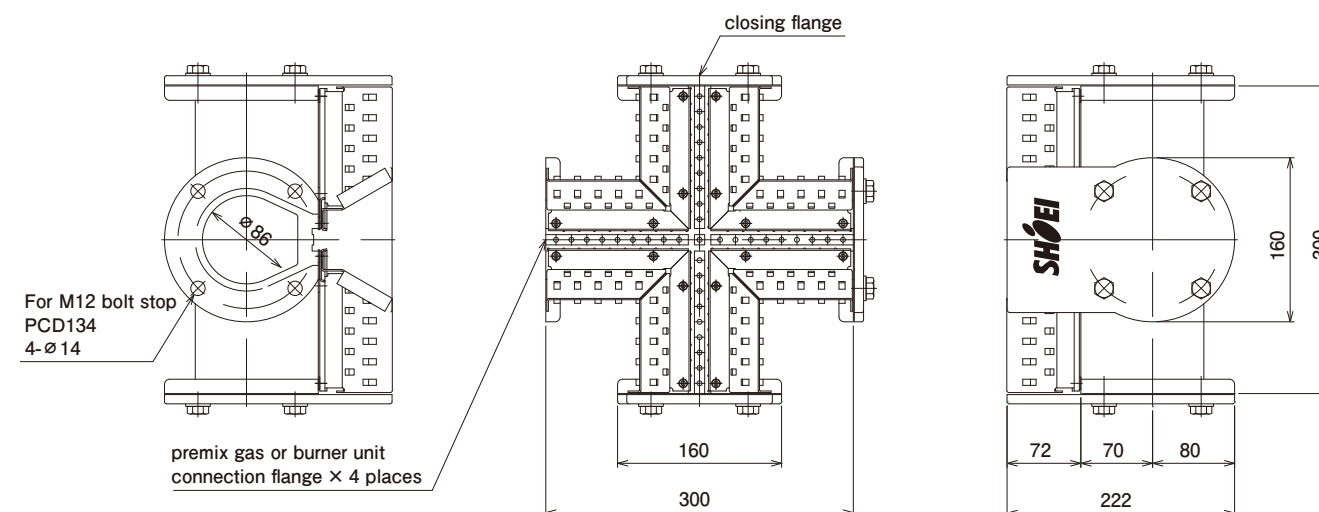
## Main Usage

- Baking furnace (metal painting, plywood, resin etc.)
- Drying oven (drying of fiber, food, printing, metal draining etc.)
- Heating furnace (preheating furnace, pretreatment furnace, foaming furnace, heat set furnace, oil quenching furnace, etc.)
- Deodorizer (direct combustion · catalytic type etc), for any other hot air treatment

## Specifications

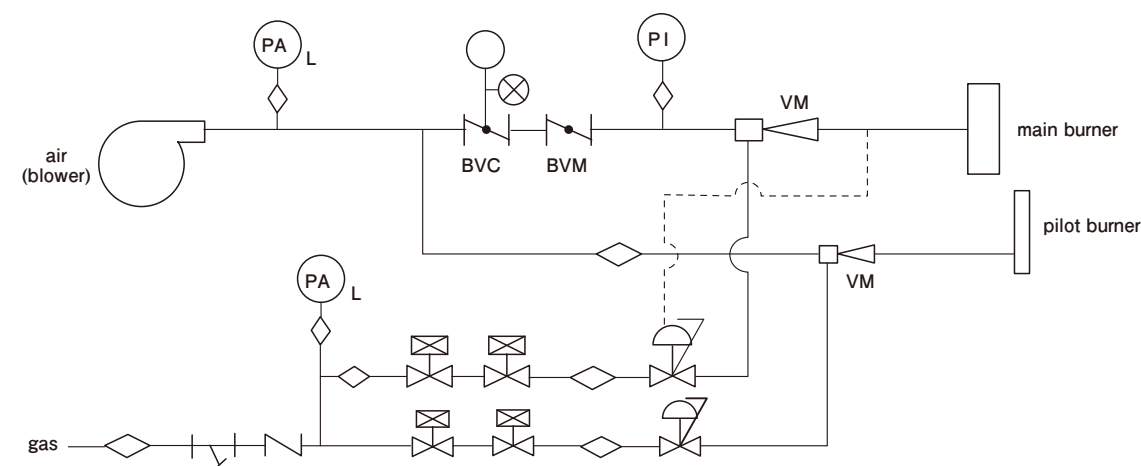
Combustion capacity (kW)	13A	233
	LPG	
Combustion method	premix type	

## Overall size



## Example of piping flow sheet

### Example of control motor link type Hi-Low control or proportional control



## Handling Precautions

- Handling Precautions
  - 13A gas  $-0.5 \sim +0.2$  kPa
  - LP gas  $-0.5 \sim +0.5$  kPa
- If the wind speed inside the duct is out of the proper range, it is necessary to add the corresponding pressure to the blower and gas supply pressure.
- Suitable wind speed range in duct 5m/s~20m/s
- Notes on duct installation
  - Air Heater Inlet side duct length 500 mm or more
  - Outlet duct length 1000 mm or more