



Package burner

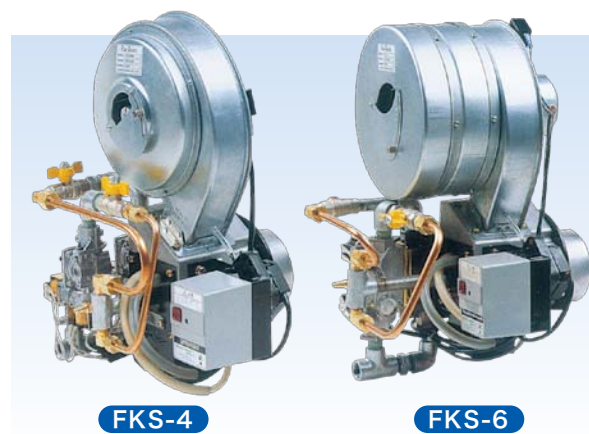
FKS Burner

FKS-2, 4, 6

It is suitable for blast furnace pressure by installing a turbo blower.

Feature

- 1 It realized division · short flame by unique combustion tube structure
- 2 Equipped with all the combustion device in a compact casing.
- 3 With safety device (air pressure switch, fire alarm, protect relay)
- 4 By adjusting the governor head screws, you can adjust the amount of gas in the pilot line and main line.
- 5 Maintenance is easy because nozzle and rod can be easily removed from the back.



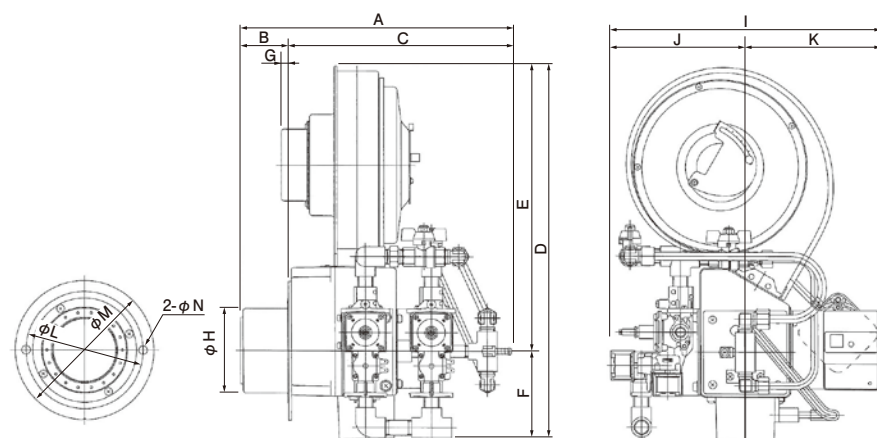
Note) Some components, dimensions, etc. may be changed due to improvement etc.

Specifications

Model	FKS-2 (N) S	FKS-4 (N) S	FKS-6 (N) S
Gas type	LPG·13A		
Rated burning capacity (kW)	23.5	46.5	69.8
Power supply (single phase)	100V	100V/200V	100V/200V
Blower	1-stage	2-stage	3-stage
Control method	ON-OFF		
Detection method	flame rod		
Gas connection size (Rc)	3/8		1/2

※ [N] is Model for 13A.

Overall size



Model	A	B	C	D	E	F	G	H	I	J	K	L	M	N
FKS-2(N)S	315	55	260	382	280	102	—	98	315	155	160	135	160	10
FKS-4(N)S	315	55	260	432	330	102	8	98	315	155	160	135	160	10
FKS-6(N)S	360	55	305	495	330	165	20	98	300	140	160	135	160	10